



STIRLING^{TM/MC}

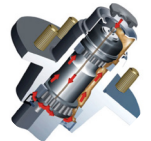
by/par Westbrook Systems



* In the province of Manitoba and Alberta the GVW & payload rating for this trailer are 1,998 lbs & 1,378 lbs respectively

Model/Modèle: 60-120-TBL/TBR

G.V.W./PVT:	2720 lbs *
Payload/Charge:	2100 lbs *
Weight/Poids:	620 lbs
Int. Width/Largeur int.:	5' / 5 pi.
Int. Length/Longueur int.:	10' to 11' 3"/10 pi. à 11 pi., 3 po.
Front Gate/Porte avant:	Expandable - 15" / Extensible - 15 po.
Tailgate/Porte arrière:	3-Way Ramps / Porte à positions
Sides/Ridelles:	15" solid sides / 15 po. solide
Suspension:	3500 lbs Torsion / Torsion 3500 lbs
Axle Position/Position d'essieu:	6" Adjustable / Ajustable de 6 po.
Wheel/Roue:	ST175/80D13 LRC
Tie-Down Points/Anneaux:	4 in-floor / 4 encastrés
Lighting/Lumières:	Sealed LED / DEL étanche
Coupler/Boule d'attelage:	2" / 2 po.
Hitch Height/Hauteur d'attelage:	15" / 15 po.
Material/Matériau:	Galvalume Steel / Acier Galvalume



E.Z. Lube™



Folds-in / Se rabat



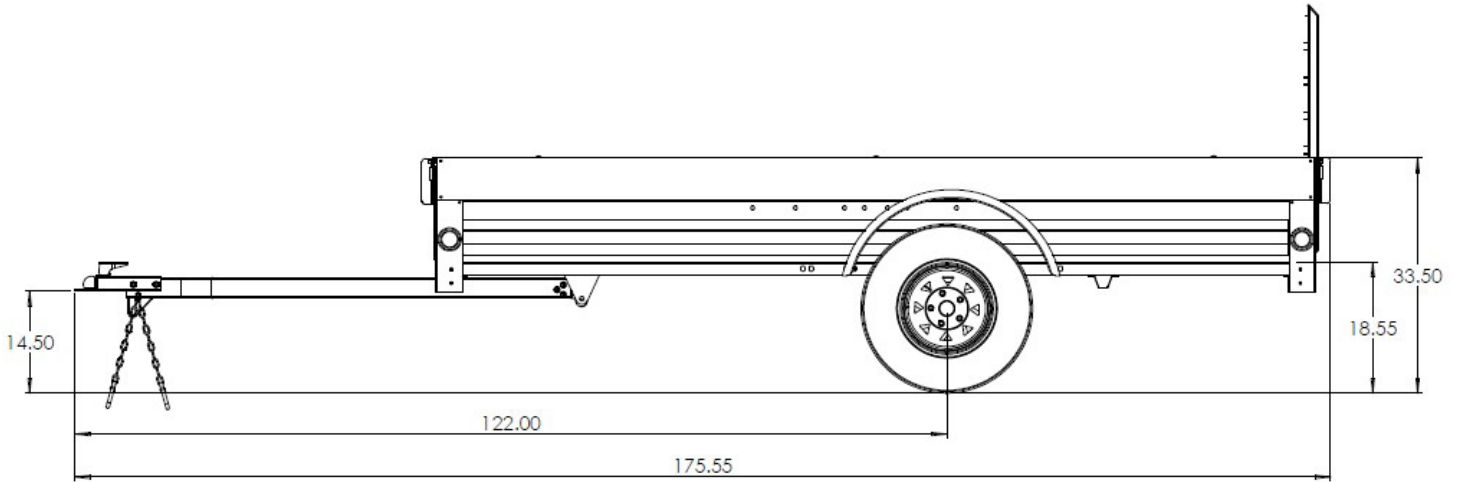
Extends / Extensible



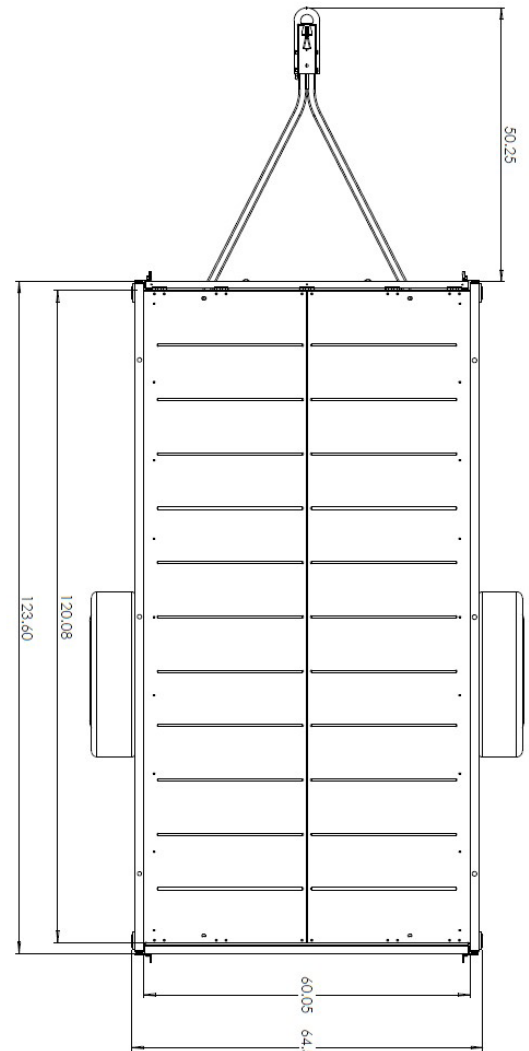
Contact us/Contactez-nous
866-857-1445
www.stirlingtrailers.com



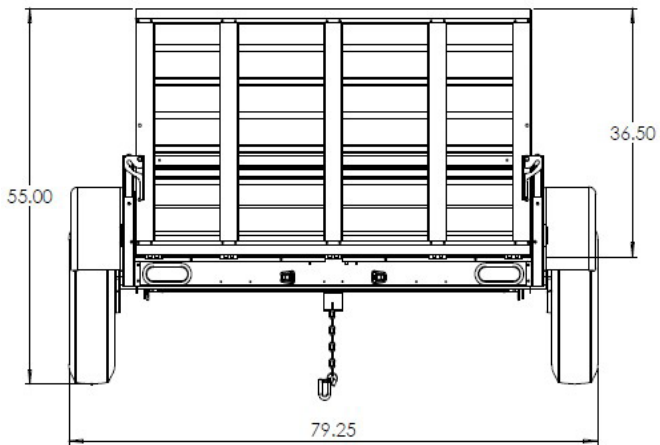
Made in Canada
Fabriqué au Canada
P/N: 503101



Side View



Top View



Rear View