

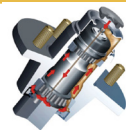
# Marathon™

TRAILERS FOR THE LONG RUN



## Model/Modèle: 48-168-BT

G.V.W./PVT:	1200 lbs
Payload/Charge:	970 lbs
Weight/Poids:	230 lbs
Int. Width/Largeur int.:	4'3" / 4 pi., 3 po.
Int. Length/Longueur int.:	13' / 13 po.
Suspension:	1500 lbs Leaf Spring / À ressort 1500 lbs
Wheel/Roue:	4.80 X 8 LRC
Boat size:	10' - 13' / 10 pi. - 13 pi.
Lighting/Lumières:	Submersible Lights / Lumières submersible
Coupler/Boule d'attelage:	1 7/8" / 1 7/8 po.
Hitch Height/Hauteur d'attelage:	14" / 14 po.



E.Z. Lube™



Adjustable/Ajustable



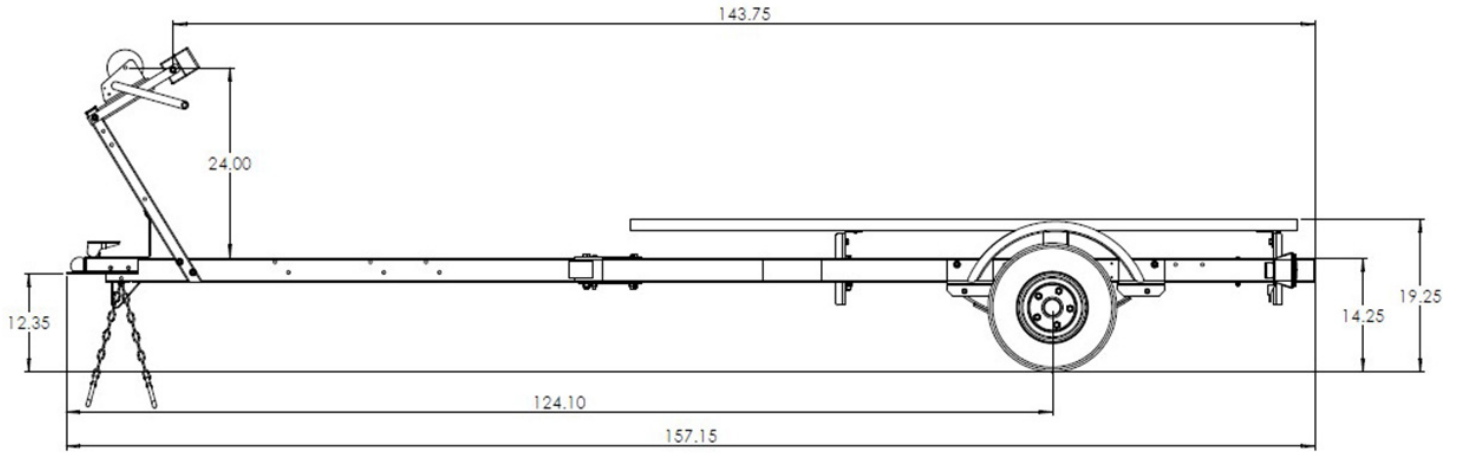
Galvalume™



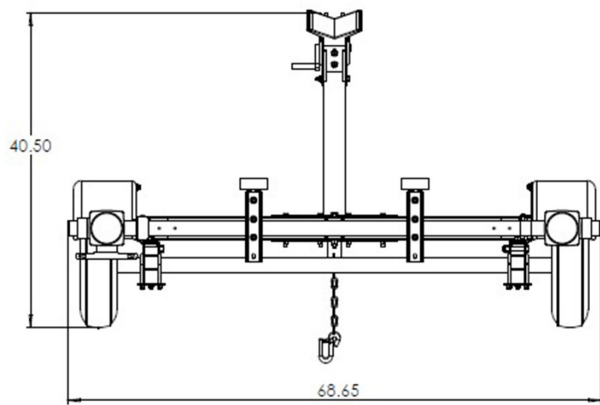
Contact us/Contactez-nous  
866-857-1445  
[www.marathonpowerproducts.com](http://www.marathonpowerproducts.com)



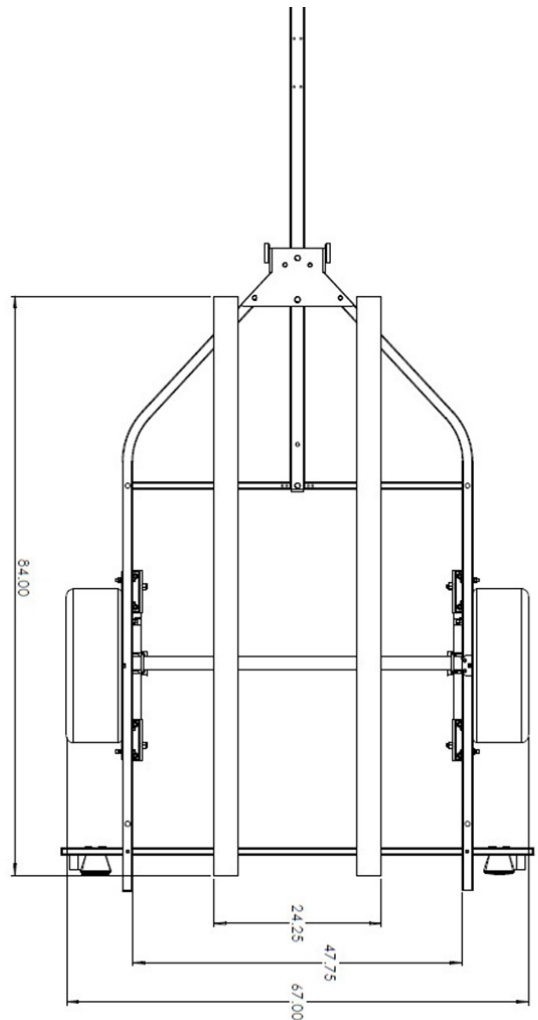
Made in Canada  
Fabriqué au Canada  
P/N: 503232



Side View



Rear View



Top View